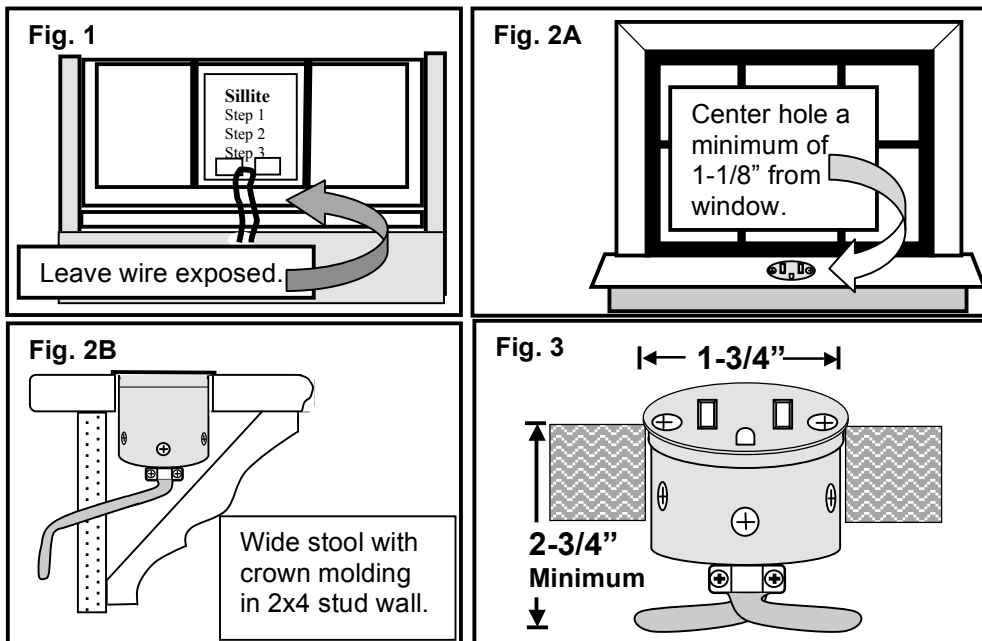




***** Notice to Drywall and Trim Contractors*****

This location has been pre-wired for a Sillites self-contained receptacle.

1. Leave wire exposed at base of window (See Fig. 1).
Do NOT use foam insulation in or around the wire or hole.
2. Drill 1-3/4" hole for the receptacle in center of stool at least 1-1/8" from window. (See Fig. 2A). In 2x4 stud walls, crown molding can be used to create a cavity beneath the stool (See Fig. 2B). Ensure 2-3/4" minimum vertical clearance for Self-Contained Receptacle (See Fig. 3).
3. Pull wire through hole and leave exposed for electrician; be sure that wire can easily be pushed back into wall.



If any questions, please call (770) 755-5654.
Copies of this decal at www.SILLITES.com